

SURGiNG

紹 鑫 實 業



SurgeArresters

陶瓷气体放电管

S16 Series

Gas Discharge Tubes - S16 Series

Features	Applications
<ul style="list-style-type: none"> ● Extremely fast response time ● Stable performance over life ● High insulation resistance ● RoHS-compatible ● UL-identification, No: E500805 	<ul style="list-style-type: none"> ● AC-POWER Line & Class II

Electrical specifications

DC breakdown voltage ¹⁾		600 480...720	V V
Impulse breakdown voltage ¹⁾ 1KV/us		≤1400	V
Insulation resistance at DC 100V		≥1	GΩ
Capacitance at 1MHz ²⁾ GB/T18802.311		≤7	Pf
In (Nominal impulse discharge current)8/20 μS		40	KA
I _{max} (Maximum impulse discharge current)		50	KA
Class II ²⁾			
Max.continuous operating voltage at 50/60 Hz	U _c	255	V _{rms}
Nominal discharge current 8/20us	I _n	20	KA
Maximum discharge current 8/20us	I _{max}	40	KA
Follow on current at 50/60Hz	I _f	105	Arms
Arc voltage at 1A		25	V
Weight		10	g
Storage and operations temperature		-40...+90	°C
Climatic category (IEC61643-1)		40/90/21	
Marking, Blue		SURGING 600	

Gas Discharge Tubes - S16 Series

Part Numbering

S16 - 600XE1

Series:

S5系列: $\phi 5 \times 5$
S16系列: $\phi 16 \times 4.5$

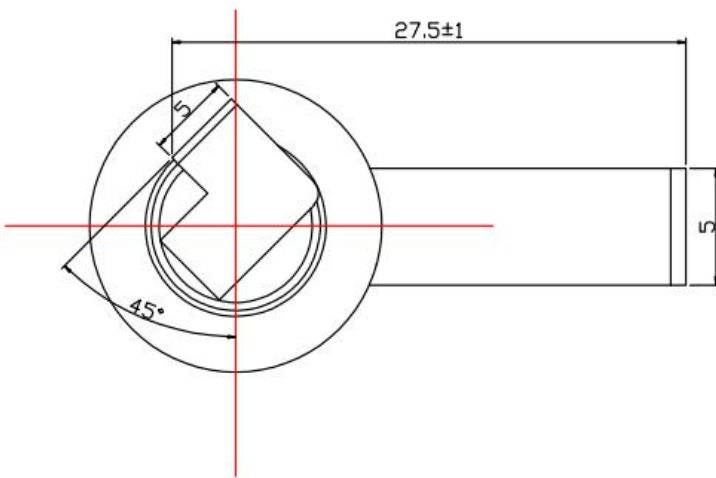
DCLineVoltage:

90X=90V
600X=600V

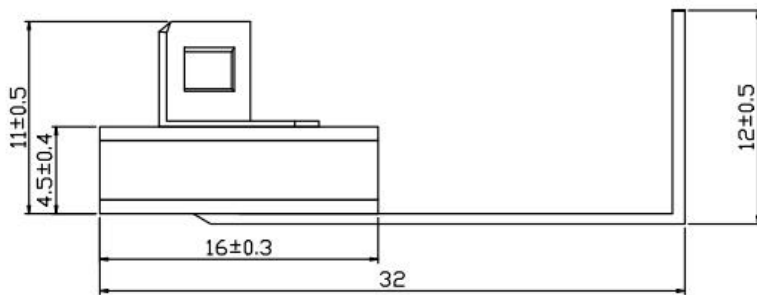
Paclcage:

SMD=Cylinder No Lead
E1=U-shaped feet

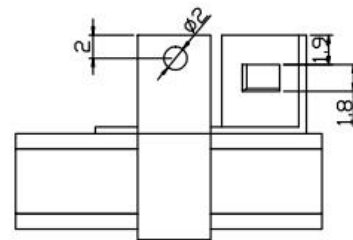
Dimensions



- 1) At delivery AQL 0.65 level II, DIN ISO2859
- 2) DC spark-over voltage >450V after load
Tests according to IEC61643-311



Tin-plated



Dimensions in m

Cautions and warnings

- Depending on the incorporation position, the surge arrester may have to be additionally secured by mechanical means.
- Surge arresters must not be operated directly in power supply networks
- Surge arresters may become hot in case of longer periods of current stress (danger of burning).
- Damaged surge arresters must not be re-used.