



绍鑫电子  
SURGING

SURGING

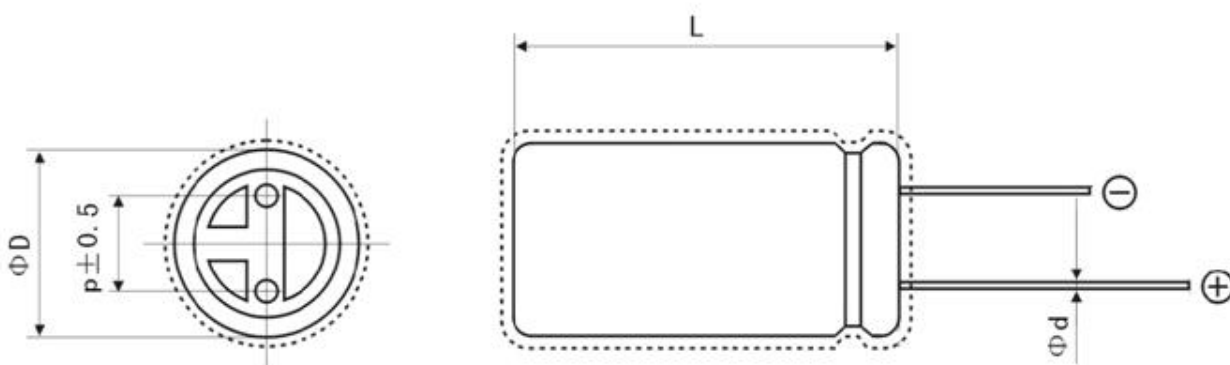
法拉电容  
柱式高温型

# 卷绕高温系列

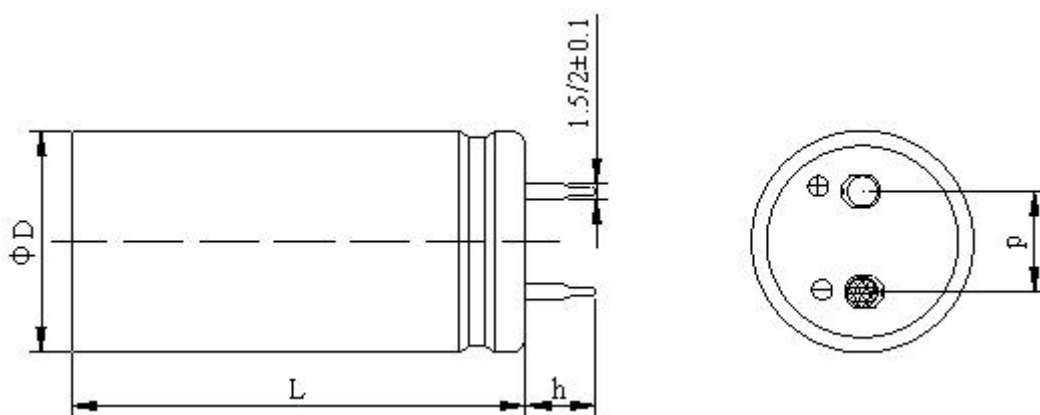
- 性能特点：85℃系列
- 典型应用：RAM、消费电子、风力发电机组变桨、军工、智能电网、备用电源、玩具等
- 系列规格表：

系列名称	HTSR 系列	
额定电压 $V_R$	2.3V	2.7V
工作温度	-40~85℃	-20~85℃
容量范围	1F~400F	1F~400F
容量偏差	-20%~+80%	-20%~+80%
产品寿命	标准充放电模式，充放电循环 20 万次， $ \Delta C/C  \leq 30\%$ ，ESR $\leq 4$ 倍初始值(25℃) +85℃ $\pm 2$ 加额定电压，1000h 后， $ \Delta C/C  \leq 30\%$ ，ESR $\leq 4$ 倍规定值	

- 产品图纸：



1~50F



60~400F

● 产品性能表:

型号	额定电压(V)	标称容量(F)	内阻( $m\Omega$ @1kHz)	尺寸(mm)
HTSR2R3105Z-L/HTSR2R7105Z-L	2.3/2.7	1	$\leq 600$	8*13.3
HTSR2R3205Z-L/HTSR2R7205Z-L	2.3/2.7	2	$\leq 450$	8*20.2
HTSR2R3305Z-L/HTSR2R7305Z-L	2.3/2.7	3	$\leq 330$	8*20.2
HTSR2R3335Z-L/HTSR2R7335Z-L	2.3/2.7	3.3	$\leq 330$	8*20.2
HTSR2R3475Z-L/HTSR2R7475Z-L	2.3/2.7	4.7	$\leq 300$	10*20.2
HTSR2R3605Z-L/HTSR2R7605Z-L	2.3/2.7	6	$\leq 180$	10*20.2
HTSR2R3685Z-L/HTSR2R7685Z-L	2.3/2.7	6.8	$\leq 150$	12.5*21
HTSR2R3805Z-L/HTSR2R7805Z-L	2.3/2.7	8	$\leq 130$	12.5*21
HTSR2R3106Z-L(1025)/ HTSR2R7106Z-L(1025)	2.3/2.7	10	$\leq 100$	10*25.2
HTSR2R3106Z-L(1030)/ HTSR2R7106Z-L(1030)	2.3/2.7	10	$\leq 100$	10*30.2
HTSR2R3106Z-L(1226)/ HTSR2R7106Z-L(1226)	2.3/2.7	10	$\leq 100$	12.5*26.1
HTSR2R3156Z-L(1230)/ HTSR2R7156Z-L(1230)	2.3/2.7	15	$\leq 75$	12.5*30.7
HTSR2R3156Z-L(1626)/ HTSR2R7156Z-L(1626)	2.3/2.7	15	$\leq 75$	16*26.3
HTSR2R3206Z-L/HTSR2R7206Z-L	2.3/2.7	20	$\leq 60$	16*26.3
HTSR2R3306Z-L/HTSR2R7306Z-L	2.3/2.7	30	$\leq 45$	16*32
HTSR2R3406Z-L/HTSR2R7406Z-L	2.3/2.7	40	$\leq 45$	18*41.3
HTSR2R3506Z-L/HTSR2R7506Z-L	2.3/2.7	50	$\leq 40$	18*41.3
HTSR2R3606Z-S/HTSR2R7606Z-S	2.3/2.7	60	$\leq 40$	22*44.4
HTSR2R3806Z-S/HTSR2R7806Z-S	2.3/2.7	80	$\leq 30$	22*44.4
HTSR2R3906Z-S/HTSR2R7906Z-S	2.3/2.7	90	$\leq 27$	22*44.4
HTSR2R3107Z-S/HTSR2R7107Z-S	2.3/2.7	100	$\leq 24$	22*49.5
HTSR2R3127Z-S/HTSR2R7127Z-S	2.3/2.7	120	$\leq 24$	25*44.6
HTSR2R3157Z-S/HTSR2R7157Z-S	2.3/2.7	150	$\leq 21$	25*49.5
HTSR2R3207Z-S/HTSR2R7207Z-S	2.3/2.7	200	$\leq 18$	25*59.6
HTSR2R3307Z-S/HTSR2R7307Z-S	2.3/2.7	300	$\leq 15$	35*54.6
HTSR2R3367Z-S/HTSR2R7367Z-S	2.3/2.7	360	$\leq 12$	35*60.9
HTSR2R3407Z-S/HTSR2R7407Z-S	2.3/2.7	400	$\leq 10$	35*69.9