

SURGiNG

紹 鑫 實 業



Midget Fuse

新能源熔断器

AC10 Series



10x38 系列熔断器

10x38 Midget Fuse



材料/Material:

Terminals: Tin plated copper
 Tube: Ceramic Tube
 Element: Silver alloy
 Filler: Silica Sand

工作温度:

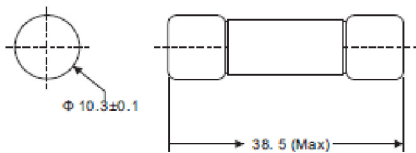
Operating Temperature:
 -55°C~+125°C

电气特性: Electrical Characteristics

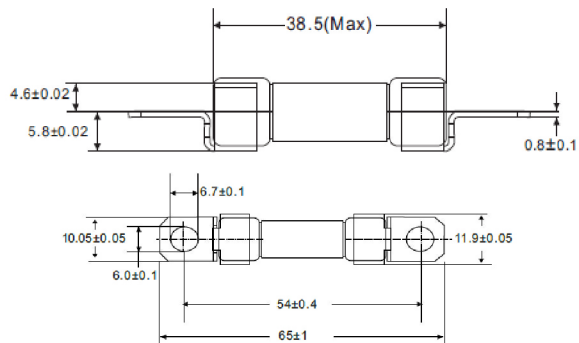
Certification	%Ampere Rating	Opening Time
UL	100%	4 Hours Min
	200%	6 Minutes Max
CE	125%	60 Minutes Min
	160%	60 Minutes Max

产品尺寸· Dimension

圆筒帽形产品图示



带螺栓脚产品图示



目录编号/Catalog No. :

Type	Catalog No.	Rated Voltage	Current Range	Interrupting Rating	Certification
AC	AC10V250	250VAC	80A	2.5KA@250VAC	UL
	AC10V500	500VAC	30-50A	1.5KA@500VAC	UL
	AC10G400	400VAC	0.5-32A	50KA@400VAC	CE
	AC10G500	500VAC	0.5-25A	50KA@500VAC	CE