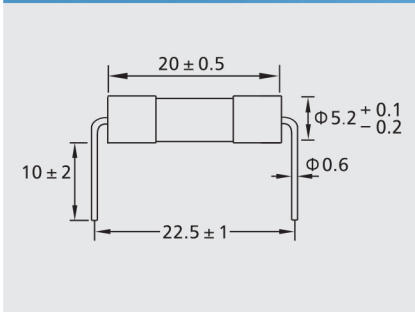
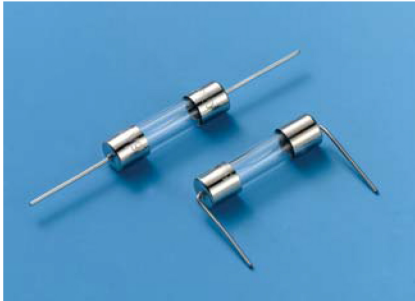


5H $\Phi 5.2 \times 20$ RoHS Compliant



玻璃保险丝管(延时型)

Glass Tube Fuse (Time-Lag) 250V/125V



测试标准:

Testing Standard:
UL248-1 UL248-14

额定分断能力:

Interrupting Rating:
10000 Amperes at 125V AC
35 Amperes at 250V AC(100mA~1A)
100 Amperes at 250V AC(1.25A~6.3A)

工作温度:

Operating Temperature:
-55°C ~ +125°C

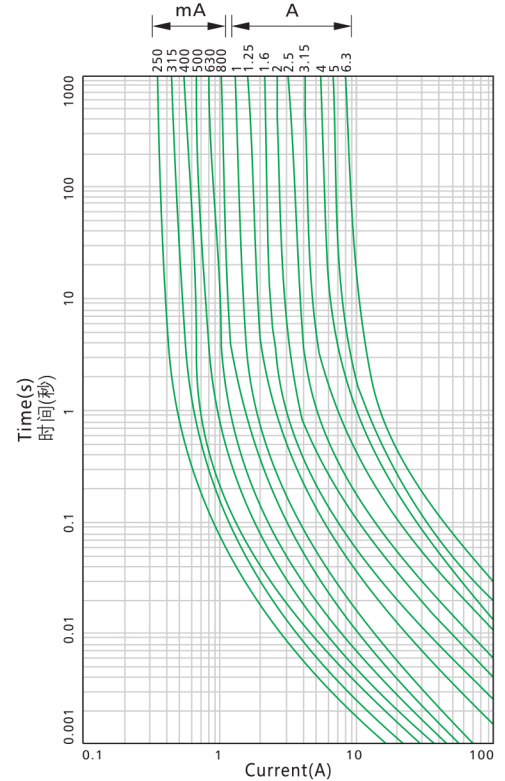
材料:

Materials:
End cap:nickel plated brass
Glass tube:glass
Lead wire:tinned copper wire

焊接方法:

Soldering Method:
Wave soldering: 260°C, 10s max
Manual soldering: 350°C, 5s max

Time-Current Characteristics
电流-时间曲线图



电气特性: Electrical Characteristics

额定电流的% % of Ampere Rating	熔断时间 Opening Time
100%	4 hours Min(大于4小时)
135%	1 hour Max(小于1小时)
200%	120 s Max (小于120秒)
1000%	10 ms Min (大于10毫秒)

目录编号: Catalog No.A:250V B:125V

目录编号 Catalog No.	额定电流 Ampere Rating	额定电压 Voltage Rating	熔化热能 ² Melting Integral (A ² .S)	认证 Approvals		
				UL	ULc	ULUS
5H0125A/B	125mA	250V/125V	0.008	●	●	
5H0160A/B	160mA	250V/125V	0.01	●	●	
5H0200A/B	200mA	250V/125V	0.03	●	●	
5H0250A/B	250mA	250V/125V	0.05	●	●	
5H0315A/B	315mA	250V/125V	0.09	●	●	
5H0400A/B	400mA	250V/125V	0.17	●	●	
5H0500A/B	500mA	250V/125V	0.3	●	●	
5H0630A/B	630mA	250V/125V	0.5	●	●	
5H0750A/B	750mA	250V/125V	0.9	●	●	
5H0800A/B	800mA	250V/125V	1.1	●	●	
5H1100A/B	1A	250V/125V	2.5	●	●	
5H1125A/B	1.25A	250V/125V	5.2	●	●	
5H1150A/B	1.5A	250V/125V	6.1	●	●	
5H1160A/B	1.6A	250V/125V	11	●	●	
5H1200A/B	2A	250V/125V	25	●	●	
5H1250A/B	2.5A	250V/125V	48	●	●	
5H1300A/B	3A	250V/125V	60	●	●	
5H1315A/B	3.15A	250V/125V	90	●	●	
5H1350A/B	3.5A	250V/125V	110	●	●	
5H1400A/B	4A	250V/125V	120	●		●
5H1500A/B	5A	250V/125V	180	●		●
5H1600A/B	6A	250V/125V	210	●		●
5H1630A/B	6.3A	250V/125V	250	●		●

● 表示已获认证
● 表示认证中