

**DESCRIPTION**

The SE26T30B05E is designed to protect sensitive electronics from damage or latch-up due to ESD and other voltage-induced transient events. Each device will protect up to five lines. It is available with operating voltages of 5V. It is unidirectional device and may be used on lines where the signal polarities are above ground.

TVS diodes are solid-state devices designed specifically for transient suppression. They feature large cross-sectional area junctions for conducting high transient currents. They offer desirable characteristics for board level protection including fast response time, low operating and clamping voltage and no device degradation.

The SE26T30B05E may be used to meet the immunity requirements of IEC 61000-4-2, level 4. The low cost SOT23-6 package makes them ideal for use in portable electronics such as cell phones, PDA's, and notebook computers.



**SOT-23-6 PACKAGE**

**FEATURES**

- >Small package for use in portable electronics
- >Protects five I/O lines
- >Working voltages: 5V
- >Low leakage current
- >Low operating and clamping voltages
- >Solid-state silicon avalanche technology

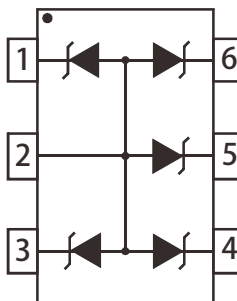
**APPLICATIONS**

- >Cell phone Handsets and Accessories
- >Microprocessor Based Equipment
- >Personal Digital Assistants (PDA's)
- >Notebooks, Desktops, and Servers
- >Portable Instrumentation
- >Set Top Box
- >Peripherals

**IEC COMPATIBILITY**

- >IEC 61000-4-2(ESD)±15KV(air),±8KV(contact)
- >IEC61000-4-4 (EFT) 40A (5/50ns)
- >IEC61000-4-5 (Lightning) 12A (8/20µs)

**PIN CONFIGURATIONS**



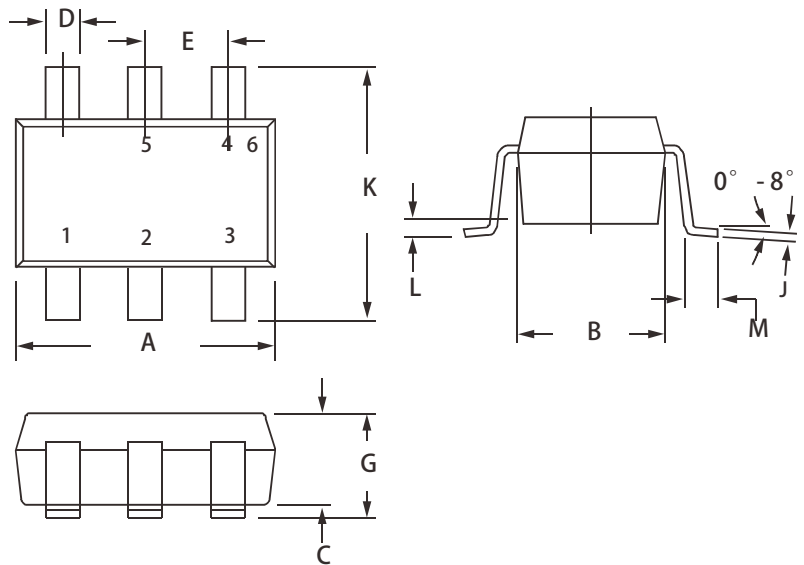
**TYPICAL DEVICE CHARACTERISTICS**

MAXIMUM RATINGS @ 25 ° C UNLESS OTHERWISE SPECIFIED			
PARAMETER	SYMBOL	VALUE	UNIT
Peak Pulse Power (tp=8/20μs waveform)	PPP	300	Watts
Lead Soldering Temperature	TL	260(10 sec.)	°C
Operating Temperature Range	TJ	-55~125	°C
Storage Temperature Range	TSTG	-55~150	°C

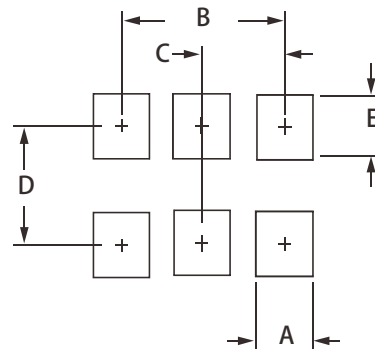
ELECTRICAL CHARACTERISTICS PER LINE @ 25°C UNLESS OTHERWISE SPECIFIED									
PART NUMBER	DEVICE MARKING	VRWM (V) Max.	VB (V) Min.	IT (mA)	Vc @1A Max.	Vc		IR (uA) Max.	CT (pF) Max.
						Max.	@A		
SE26T30B05E	TC5	5.0	6.0	1	9.8	15	24	5	200

**SOT-23-6 PACKAGE INFORMATION**

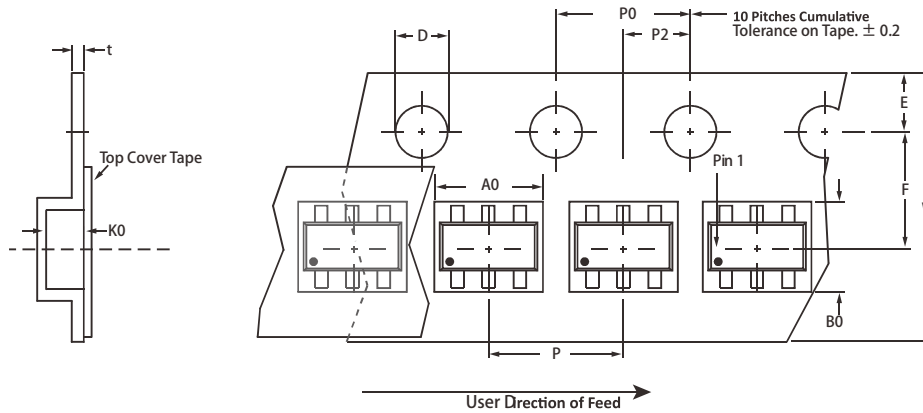
OUTLINE DIMENSIONS				
DIM	MILLIMETERS		INCHES	
	MIN	MAX	MIN	MAX
A	2.80	3.05	0.110	0.120
B	1.50	1.75	0.059	0.070
C	0.90	1.30	0.036	0.051
D	0.30	0.40	0.012	0.016
E	0.85	1.05	0.033	0.040
G	0.90	1.45	0.036	0.057
J	0.09	0.20	0.003	0.008
K	2.60	3.00	0.102	0.118
L	0.0	0.15	0.0	0.006
M	0.30	0.60	0.012	0.024



PAD LAYOUT DIMENSIONS		
DIM	MILLIMETERS	INCHES
	NOMINAL	NOMINAL
A	0.70	0.028
B	1.90	0.074
C	0.95	0.037
D	2.40	0.094
E	1.00	0.039



**TAPE AND REEL**



SPECIFICATIONS												
REEL DIA.	TAPE WIDTH	A0	B0	K0	D	E	F	W	P0	P2	P	tmax
178mm (7")	8mm	3.20 ± 0.10	3.20 ± 0.10	1.65 ± 0.10	1.50 ± 0.10	1.75 ± 0.10	3.50 ± 0.05	8.00 ± 0.30	4.00 ± 0.10	2.00 ± 0.05	4.00 ± 0.10	0.25
<b>NOTES</b> 1. Dimensions are in millimeters. 2. Surface mount product is taped and reeled in accordance with EIA-481. 3. Suffix - T7 = 7" Reel - 3,000 pieces per 8mm tape.												

ORDERING INFORMATION						
BASE PART NUMBER	LEAD FREE SUFFIX	X	TAPE SUFFIX	QTY/REEL	REEL SIZE	TUBE QTY
SE26T30B05E	-LF		-T7	3,000	7"	n/a
This device is only available in a Lead-Free configuration.						

## **CONTACT US**

### **Headquarters**

Room 43A, Block C, E lectronic and Technology Building, Shennan Road, Futian District, Shenzhen  
China

### **Hotline**

+86-0755-83239646

### **Web**

[Http://www.szshaoxin.com](http://www.szshaoxin.com)

### **By Telephone**

General: +86-0755-83239646

### **By Fax**

+86-0755-83239644

---