

DESCRIPTION

The SESRV3304 is a TVS protection array that features low capacitance. This device can be used in such as SD cards, SMART phones, Ethernet and other computer interfaces. Designed for ESD protection, the SESRV3304 can clamp the effects of electrical fast transients on the power bus.

This device is available in the space-saving SOT-23-6 package configuration, which minimizes lead inductance to prevent overshoot voltages during high ESD current events. The SESRV3304 meets the IEC-61000-4-2, 61000-4-2 and 61000-4-5 requirements.



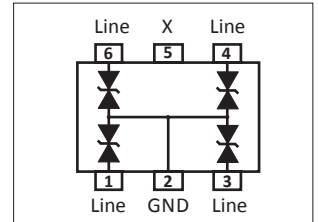
SOT-23-6 PACKAGE

FEATURES

- > 300 Watts Peak Pulse Power per Line (tp=8/20μs)
- > Protects Four Bidirectional I/O lines
- > Low clamping voltage
- > Working voltages : 3.3V
- > Low leakage current

APPLICATIONS

- > Ethernet Interface
- > Switchin Systems
- > Access Equipment
- > Central Office Equipment
- > Customer Premise Equipment
- > Microcontroller Input Protection



PIN CONFIGURATIONS

IEC COMPATIBILITY

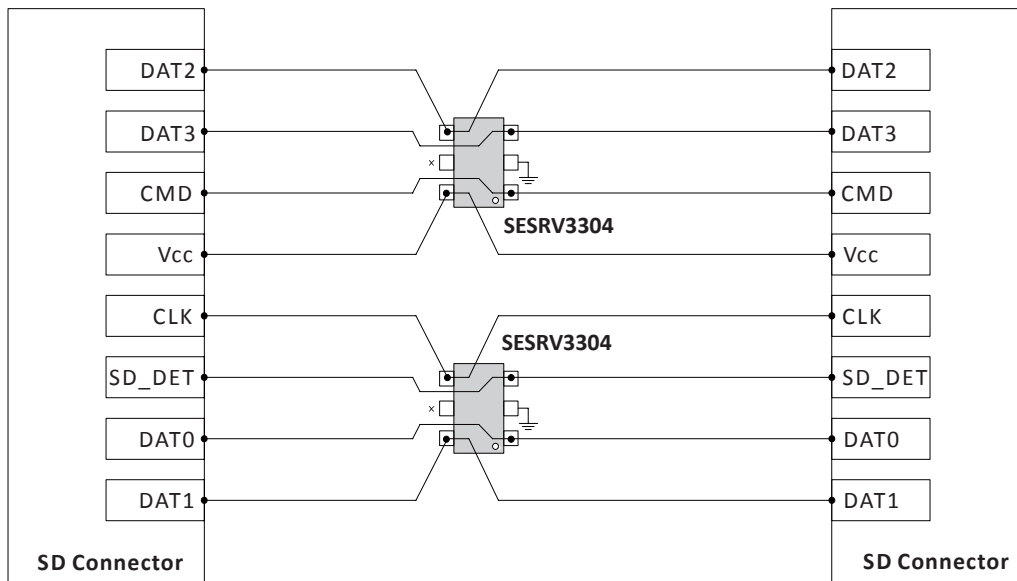
- > IEC61000-4-2 (ESD) ±30kV (air), ±30kV (contact)
- > IEC61000-4-4 (EFT) 40A (5/50ns)
- > IEC61000-4-5 (LIGHTING) 15A (8/20μs)

TYPICAL DEVICE CHARACTERISTICS

MAXIMUM RATINGS @ 25°C UNLESS OTHERWISE SPECIFIED			
PARAMETER	SYMBOL	VALUE	UNIT
Peak Pulse Power (tp=8/20μs waveform)	PPP	300	Watts
Lead Soldering Temperature	T _L	260(10 sec.)	°C
Operating Temperature Range	T _J	-55~150	°C
Storage Temperature Range	T _{STG}	-55~150	°C

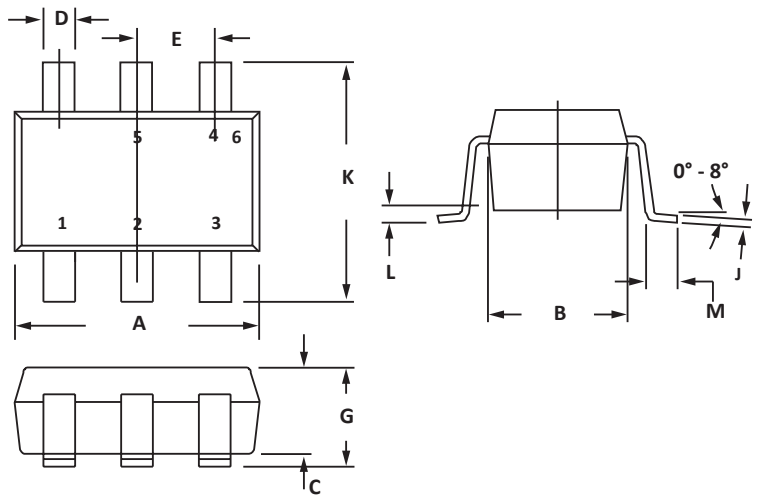
ELECTRICAL CHARACTERISTICS PER LINE @ 25°C UNLESS OTHERWISE SPECIFIED										
PART NUMBER	DEVICE MARKING	I _T (mA)	V _{RWM} (V) Max.	V _B (V) Min.	V _C @1A Max.	V _C		I _R (uA) Max.	C _T (pF) Max.	
						Max.	@A			
SESRV3304	LA3	1	3.3	Line/GND	3.5	6.3	15	13	0.1	16
				Line/Line	6.0	9.0	20	15	0.1	8

APPLICATION EXAMPLE

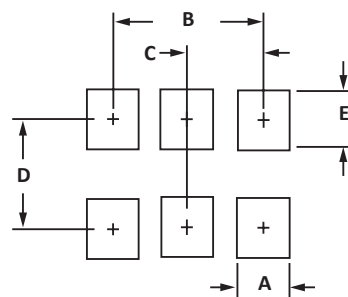


SOT-23-6 PACKAGE INFORMATION

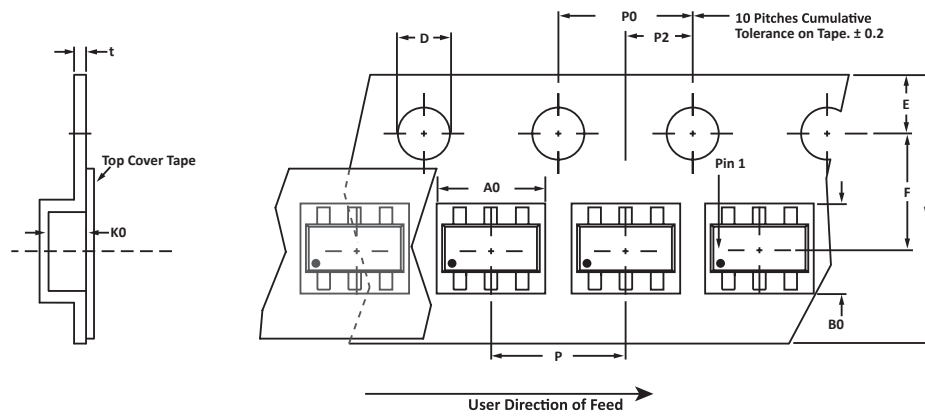
OUTLINE DIMENSIONS				
DIM	MILLIMETERS		INCHES	
	MIN	MAX	MIN	MAX
A	2.80	3.05	0.110	0.120
B	1.50	1.75	0.059	0.070
C	0.90	1.30	0.036	0.051
D	0.30	0.40	0.012	0.016
E	0.85	1.05	0.033	0.040
G	0.90	1.45	0.036	0.057
J	0.09	0.20	0.003	0.008
K	2.60	3.00	0.102	0.118
L	0.0	0.15	0.0	0.006
M	0.30	0.60	0.012	0.024



PAD LAYOUT DIMENSIONS		
DIM	MILLIMETERS	INCHES
	NOMINAL	NOMINAL
A	0.70	0.028
B	1.90	0.074
C	0.95	0.037
D	2.40	0.094
E	1.00	0.039



TAPE AND REEL



SPECIFICATIONS												
REEL DIA.	TAPE WIDTH	A0	B0	K0	D	E	F	W	P0	P2	P	tmax
178mm (7")	8mm	3.20 ± 0.10	3.20 ± 0.10	1.65 ± 0.10	1.50 ± 0.10	1.75 ± 0.10	3.50 ± 0.05	8.00 ± 0.30	4.00 ± 0.10	2.00 ± 0.05	4.00 ± 0.10	0.25
NOTES 1. Dimensions are in millimeters. 2. Surface mount product is taped and reeled in accordance with EIA-481. 3. Suffix - T7 = 7" Reel - 3,000 pieces per 8mm tape.												

ORDERING INFORMATION					
BASE PART NUMBER	LEAD FREE SUFFIX	TAPE SUFFIX	QTY/REEL	REEL SIZE	TUBE QTY
SESRV3304	-LF	-T7	3,000	7"	n/a
This device is only available in a Lead-Free configuration.					

CONTACT US

Headquarters

Room 43A, Block C, E lectronic and Technology Building, Shennan Road, Futian District, Shenzhen
China

Hotline

+86-0755-83239646

Web

[Http://www.szshaoxin.com](http://www.szshaoxin.com)

By Telephone

General: +86-0755-83239646

By Fax

+86-0755-83239644
