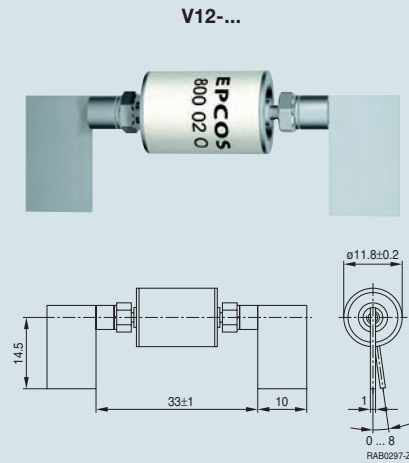
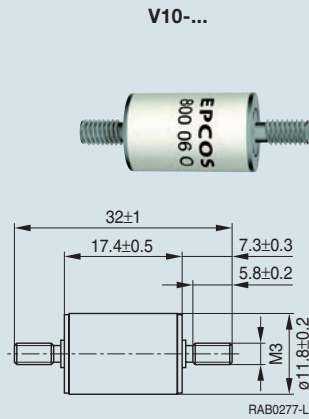


# 2-Electrode Arresters 2-Elektroden-Ableiter

Heavy-duty types  
20 kA / 20 A • Ø 11.8 x 17.4 mm

V1 Series



Type Ordering code	V10-H08X B88069X9170C251 V12-H08X B88069X9240C101	V10-H14X B88069X4300C251 V12-H14X B88069X4220C101	V10-H22X B88069X4420C251	V10-H30X B88069X4330C251 V12-H30X B88069X4230C101	
Nom. DC spark-over voltage $V_{sdclN}$	800	1400	2200	3000	V
DC spark over voltage	500 ... 850	1120 ... 1630	1760 ... 2640	2250 ... 3750	V
Impulse spark-over voltage					
@ 100 V/ $\mu$ s 99% of measured values	< 1000	< 1900	< 2700	< 4500	V
@ 100 V/ $\mu$ s typical values	< 900	< 1800	< 2400	< 4300	V
@ 1 kV/ $\mu$ s 99% of measured values	< 1200	< 2200	< 2800	< 5000	V
@ 1 kV/ $\mu$ s typical values	< 1100	< 2000	< 2500	< 4500	V
Nom. alternating discharge current @ 50 Hz, 1 s	20	20	20	30	A
Alternating discharge current @ 50 Hz, 9 cycles	120	120	120	120	A
Nom. impulse discharge current 10 operations 8/20 $\mu$ s	20	20	20	20	kA
Single impulse discharge current 1 operation 8/20 $\mu$ s	30	30	25	25	kA
Impulse discharge current 1 operation 10/350 $\mu$ s	5	-	-	-	kA
Insulation resistance	> 10	> 10	> 10	> 10	G $\Omega$
Capacitance @ 1 MHz	< 1.5	< 1.5	< 1.5	< 1.5	pF

About packing see page 65.