

SURGiNG

紹 鑫 實 業



SurgeArresters

陶瓷气体放电管

S5 Series

Gas Discharge Tubes - S5 Series



GDT introduction: Gas discharge tubes (GDT) use noble gasses enclosed in ceramic tubes to provide an alternate circuit path for voltage spikes. The ceramic envelope and with nickel connectors allow for high loads and Surging offers products that function at 20KA, 40KA, 50KA, 60KA, 100KA & 150KA. The breakdown voltages of the devices have a wide range (up to 20% tolerance). Major applications are high frequency telecommunication lines, stations, security systems, HID and high quality Surge Protection Devices (SPD).

Features

- | | |
|-----------------------------------|---|
| 1. RoHS & HF compliant | 5. Agency Recognition : UL |
| 2. SMD Structure | 6. Operating temperature: -30°C ~ +85°C Storage |
| 3. DC Spark-over voltage: 70~800V | temperature: -40°C ~ +115°C |
| 4. Low Capacitance | |

Recommended Applications

- | | |
|----------------|-------------------------|
| 1. Cable Modem | 5. Power supplier |
| 2. xDSL | 6. Consumer electronics |
| 3. Set-Top Box | |
| 4. TV sets | |

Part Number Code

S5 0 - 230X SMDT

Series:

S5系列: ϕ 5*5
SXH8系列: ϕ 8*6

Lead Type:

0=SMD
1=Thrust

DC Line Voltage:

90X=90V
230X=230V
102X=1000V

Package:

SMD=Cylinder No Lead
SMDT=2-SMD Cylinder Square End

Gas Discharge Tubes - S5 Series

Electrical Characteristics

Part No.		DC Spark-over Voltage	Maximum Impulse Breakdown Voltage		Max. Impulse Discharge Current (8/20 μ s)		Impulse Life (10/1000 μ s)	Normal Alternating Discharge Current		DC Holdover Voltage	Minimum Insulation Resistance	Maximum Capacitance (1MHz)
			100V/S	100V/ μ S	1KV/ μ s	1 times		10 times	100 A			
DIP	SMD	(V)	(V)	(V)	(KA)		Times	(A)		(V)	(G Ω)	(pF)
S51-70X	S50-70X	70 \pm 20%	700	800	10	5	300	10	25	52	1	1
S51-75X	S50-75X	75 \pm 20%	700	800	10	5	300	10	25	52	1	1
S51-90X	S50-90X	90 \pm 20%	600	700	10	5	300	10	25	52	1	1
S51-150X	S50-150X	150 \pm 20%	600	700	10	5	300	10	25	52	1	1
S51-230X	S50-230X	230 \pm 20%	600	700	10	5	300	10	25	80	1	1
S51-250X	S50-250X	250 \pm 20%	600	700	10	5	300	10	25	80	1	1
S51-300X	S50-300X	300 \pm 20%	700	900	10	5	300	10	25	150	1	1
S51-350X	S50-350X	350 \pm 20%	700	900	10	5	300	10	25	150	1	1
S51-400X	S50-400X	400 \pm 20%	800	1000	10	5	300	10	25	150	1	1
S51-470X	S50-470X	470 \pm 20%	900	1100	10	5	300	10	25	150	1	1
S51-600X	S50-600X	600 \pm 20%	1300	1500	10	5	300	10	25	150	1	1
S51-800X	S50-800X	800 \pm 20%	1500	1700	10	5	300	10	25	150	1	1

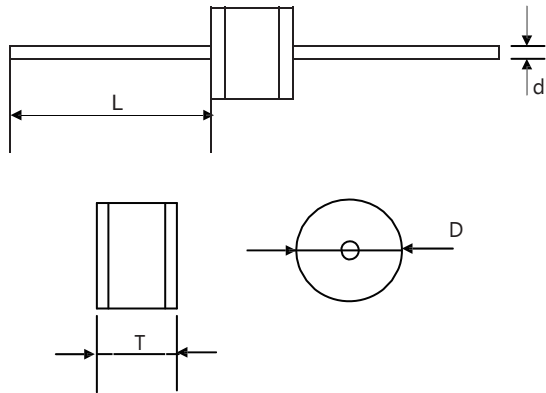
DC Spark-over Voltage	DC Measuring Voltage
70-90V	50V
150-400V	100V
470-800V	250V

Gas Discharge Tubes - S5 Series

Dimension

S51 (Axial lead type)

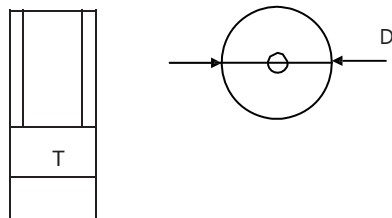
Unit:mm



Item	Dimensions	
	Spec.	Tolerance
D	5	+0.3/-0.5
T	5	+0.3/-0.5
L	20	Min.
d	0.8	±0.05

S50 (No lead type)

Unit:mm



Item	Dimensions	
	Spec.	Tolerance
D	5	+0.3/-0.5
T	5	+0.3/-0.5

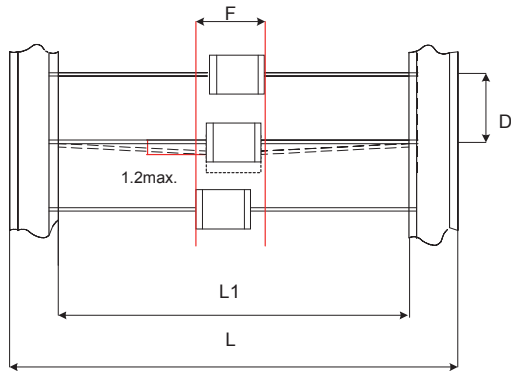
Packaging Taping

Unit:mm

Plastic Tray (265×147×10mm)	Inner Box (270×145×50mm)	Outside Box (310×280×275mm)
100 PCS/ Plastic Tray	500 PCS/ Box	5,000 PCS/ Carton

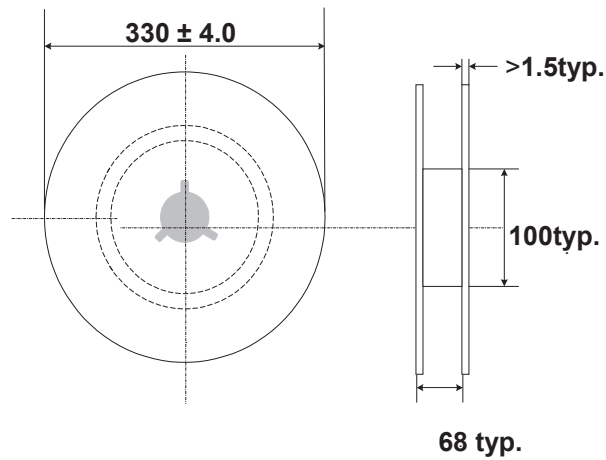
Gas Discharge Tubes - S5 Series

For 2-electrode Axial Lead GDT: 500 PCS/Reel



Unit:mm

Item	Dimensions	
	Spec.	Tolerance
L1	52	±2
L	64	±3
D	10	±0.5
F	T+1.4	Max.



Warehouse Storage Conditions of Products

- Storage Conditions:
 - Period of Storage: 1 year
1. Storage Temperature: $-10^{\circ}\text{C} \sim +40^{\circ}\text{C}$
 2. Relative Humidity: $\leq 75\% \text{RH}$
 3. Keep away from corrosive atmosphere and sunlight.