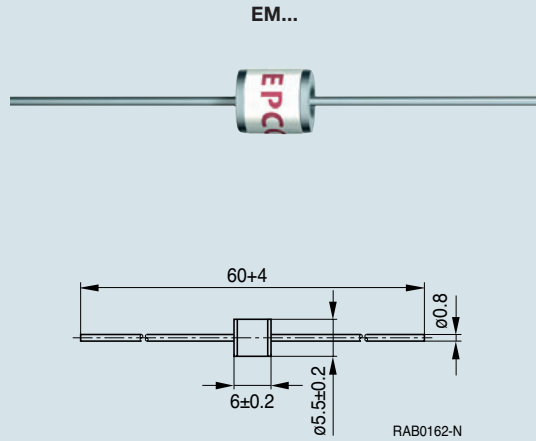


# 2-Electrode Arresters 2-Elektroden-Ableiter

Light-duty types  
2.5 kA / 2.5 A • Ø 5.5 x 6 mm



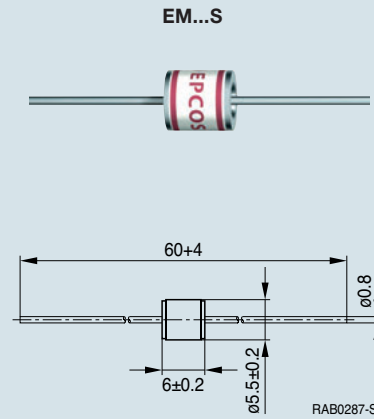
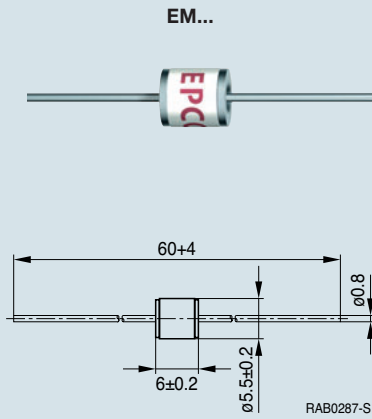
Type Ordering code	EM90X B88069X0190S102	EM230X B88069X0900S102	EM300X B88069X0800S102 B88069X0800T502	EM300XS B88069X1780S102	EM350X B88069X0590S102 B88069X0980T502	EM400X B88069X0200S102	
Nom. DC spark-over voltage $V_{sdclN}$	90	230	300	300	350	400	V
Tolerance of $V_{sdclN}$	±20	±20	-10/+15	-10/+15	±20	±20	%
Impulse spark-over voltage							
@ 100 V/μs 99% of measured values	< 400	< 650	< 700	< 500	< 800	< 800	V
@ 100 V/μs typical values	< 330	< 600	< 600	< 450	< 700	< 750	V
@ 1 kV/μs 99% of measured values	< 600	< 700	< 800	< 600	< 900	< 900	V
@ 1 kV/μs typical values	< 530	< 650	< 700	< 550	< 800	< 850	V
Nom. alternating discharge current @ 50 Hz, 1 s	2.5	2.5	2.5	-	2.5	2.5	A
Nom. impulse discharge current 10 operations 8/20 μs	2.5	2.5	2.5	2.5	2.5	2.5	kA
Impulse discharge current 1 operation 10/350 μs	0.5	0.5	0.5	0.5	0.5	0.5	kA
Impulse discharge current 300 operations 10/1000 μs	100	100	100	100	100	100	A
Insulation resistance	> 1	> 1	> 1	> 1	> 1	> 1	GΩ
Capacitance @ 1 MHz	< 1	< 1	< 1	< 1	< 1	< 1	pF

About packing see page 65.

# 2-Electrode Arresters

## 2-Elektroden-Ableiter

Light-duty / High voltage types  
2 kA / 2 A; 1.5 A • Ø 5.5 x 6 mm



Type	EM1000X	EM2000X	EM2500XS	EM3000XS	EM3600XS	EM4000XS	
Ordering code	B88069X4651S102	B88069X5600S102	B88069X2500S102	B88069X4231S102	B88069X4241S102	B88069X4251S102	
Nom. DC spark-over voltage $V_{sdCN}$	1000	2000	2500	3000	3600	4000	V
Tolerance of $V_{sdCN}$	± 20	± 20	± 20	± 20	± 20	± 20	%
Impulse spark-over voltage							
@ 100 V/μs 99% of measured values	< 1700	< 3400	< 3200	< 3800	< 4350	< 4800	V
@ 100 V/μs typical values	< 1600	< 3200	< 3000	< 3400	< 4150	< 4200	V
@ 1 kV/μs 99% of measured values	< 1900	< 4100	< 3500	< 4000	< 4500	< 4900	V
@ 1 kV/μs typical values	< 1800	< 3800	< 3200	< 3500	< 4300	< 4400	V
Nom. alternating discharge current @ 50 Hz, 1 s	2	1.5	-	-	-	-	A
Nom. impulse discharge current 10 operations 8/20 μs	2	2	2	2	2	2	kA
Single impulse discharge current 1 operation 8/20 μs	2.5	2.5	5	5	2.5	2.5	kA
Impulse discharge current, 300 operations 10/1000 μs	100	100	100	100	100	100	A
Insulation resistance	> 1	> 1	> 1	> 1	> 1	> 1	GΩ
Capacitance @ 1 MHz	< 1	< 1	< 1	< 1	< 1	< 1	pF

About packing see page 65.