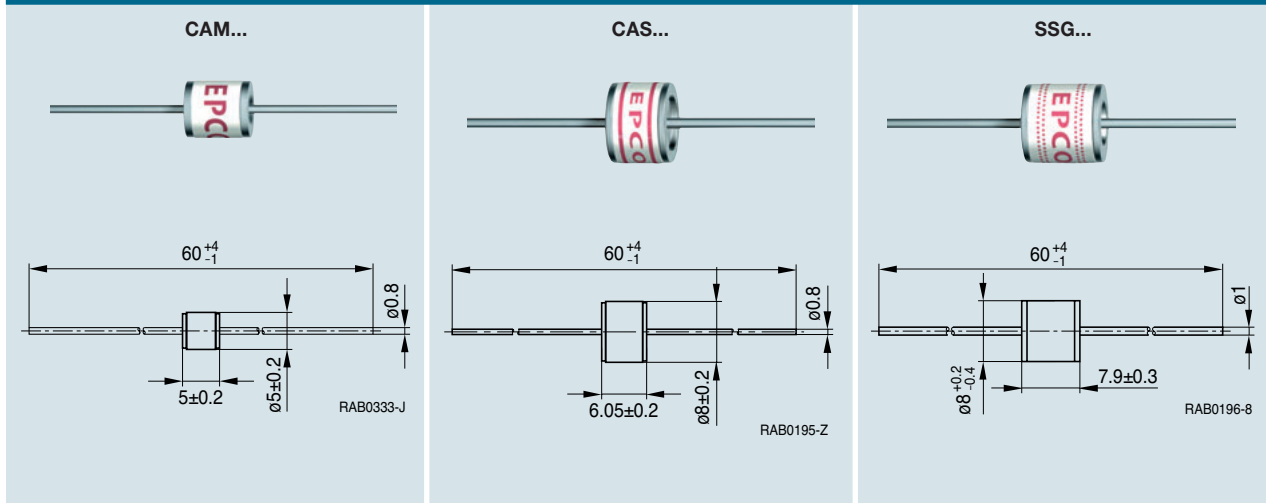


Switching Spark Gaps Schaltfunkenstrecken

Commodity types



Type series	CAM02X	CAS02X-68	SSG3X-1	SSG5X-1	
Ordering code	B88069C5410T502	B88069X0680T502	B88069X0260S102	B88069X0270S102	
Nominal breakdown voltage	230	230	3000	5000	V
Static breakdown voltage, initial ¹⁾	200 ... 255	200 ... 255	2550 ... 3540	4000 ... 6000	V
Breakdown voltage during life ¹⁾	-	-	2400 ... 3600	3750 ... 6250	V
Breakdown time	-	-	≤ 50	≤ 50	ns
Switching operations @ 25 °C ²⁾	2 000 000	2 000 000	1 000 000	100 000	
Approx. discharge peak current ²⁾	300	300	50	30	A
Operating temperature	-20 ... +125	-20 ... +125	0 ... 100	0 ... 100	°C
Insulation resistance	> 100	> 100	> 100	> 100	MΩ

1) Ionized

2) Test circuit on request.

About packing see page 65.